



Historic Image of house circa 1935 – Jim Thompson

1079 Scenic Drive
Heinz Residence

Knoxville Historic Commission Submission

Level 2 - Addition to a Home in the Scenic Drive Historic Conservation Overlay

September 30th 2013



View of house from Scenic Drive 2013



934 Scenic Drive

Property History

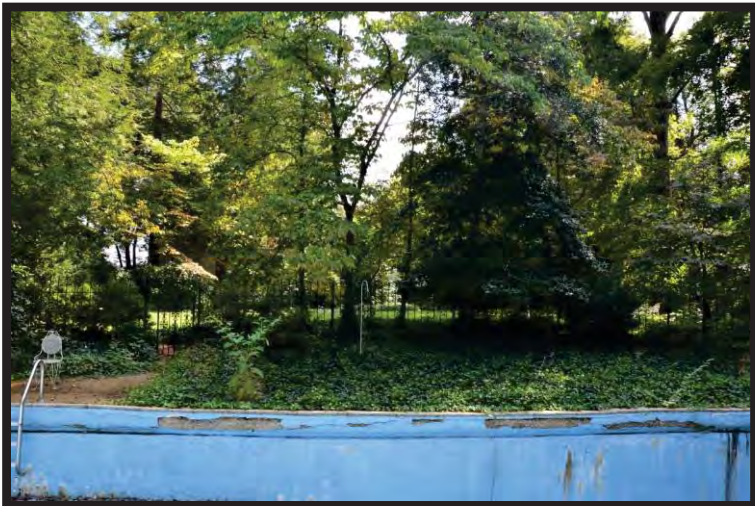
1079 Scenic Drive was designed in August of 1933 by Landscape Architect Elizabeth W. Dunlap. Elizabeth had previously designed and lived with her young family in a Tudor style home still standing just a short walk away at 934 Scenic Drive.

Initial designs for the 1079 double lot were traditional until Elizabeth and her husband Hobart traveled to the 1933 Chicago World's Fair with Bud Albers, then 9 years old, and his father. According to Bud, who was a family friend for many years, Elizabeth was inspired by the Home's of Tomorrow exhibition, which was a very popular attraction at the fair. One home in particular, The Good Housekeeping Stran-Steel house, has many similar proportions and details.

Many of the temporary buildings at the fair were designed in the Streamline or Art Moderne style which was a less decorative, cleaner development of Art Deco. Many of the Art Moderne details remain on Elizabeth's design including the flat roof, stucco walls, metal casement windows, and two portal windows on the rear elevation.



View of house from the pool circa 1935 – Jim Thompson



Current view from abandoned Pool

Design Narrative

Prior to 2013, only two families have lived in the home, and only interior and minor exterior renovations have occurred.

The home was originally designed with a pair of servants bedrooms and an adjoining small kitchen and laundry room. According to our 3 young daughters, the only servants living in the house today are my wife and me. We plan to relocate the kitchen to the rear of the house to take advantage of the back yard view. Although today it is completely overgrown, we know from the 1930's Jim Thomson image that with a significant amount of sweat equity we can reclaim Elizabeth's original vision.

The new kitchen will be located in the current screened porch which already contains a 18'-0" opening to the rear of the house. We plan to add a modest single story breakfast room to the new kitchen and relocate the screened porch to the west side of the new breakfast room.

The new additions will be contextual in scale and design with 'flat' roofs and simple painted columns to match the existing architecture. The new aluminum clad, wood windows will be large to take advantage of the views and current technologies that didn't exist in the 1930's for residential architecture.

We also plan to add a small, on grade 'Mother- In- Law' bedroom to the rear elevation. The vocabulary of the addition will be similar to the breakfast room with large openings and exterior stucco walls to match the existing house.

The existing garage bays, although charming, are only that, and were designed for narrow 1930's automobiles. We plan to add a small carport with an 8'-0" set back to the adjacent property to the east. The carport, as well as the entire addition, will not be visible from any portion of Scenic Drive.

The area of the new carport has only overgrown shrubbery, ivy and small new scrub trees. Although the site contains several specimen trees and vegetation none will be disturbed due to the house additions or the new carport.



Top of driveway looking toward new carport location and existing garage



Halfway up driveway house visible to the left



View towards house looking northeast on Scenic Drive



Driveway from Scenic Drive



View towards house looking northwest on Scenic Drive

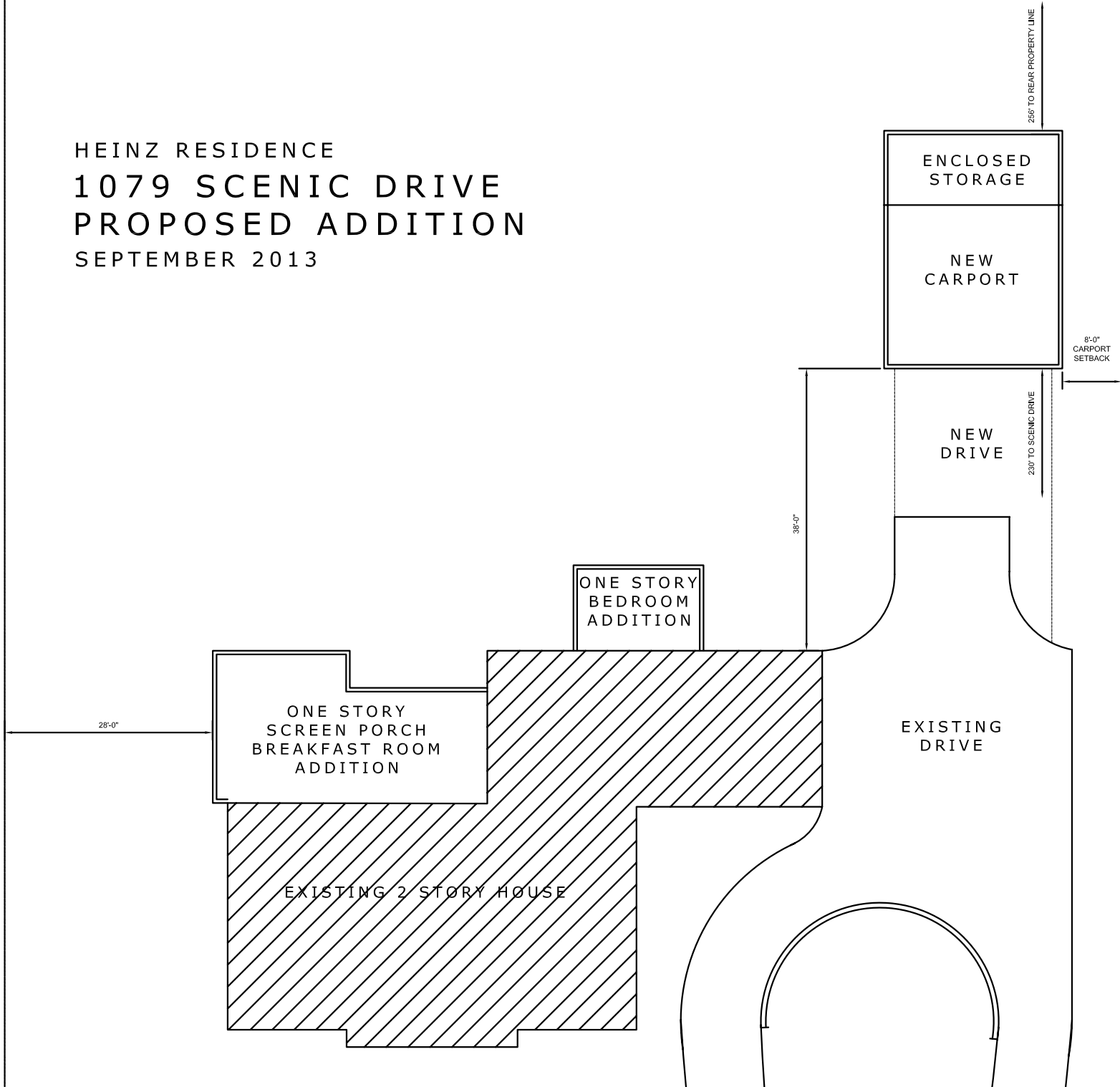


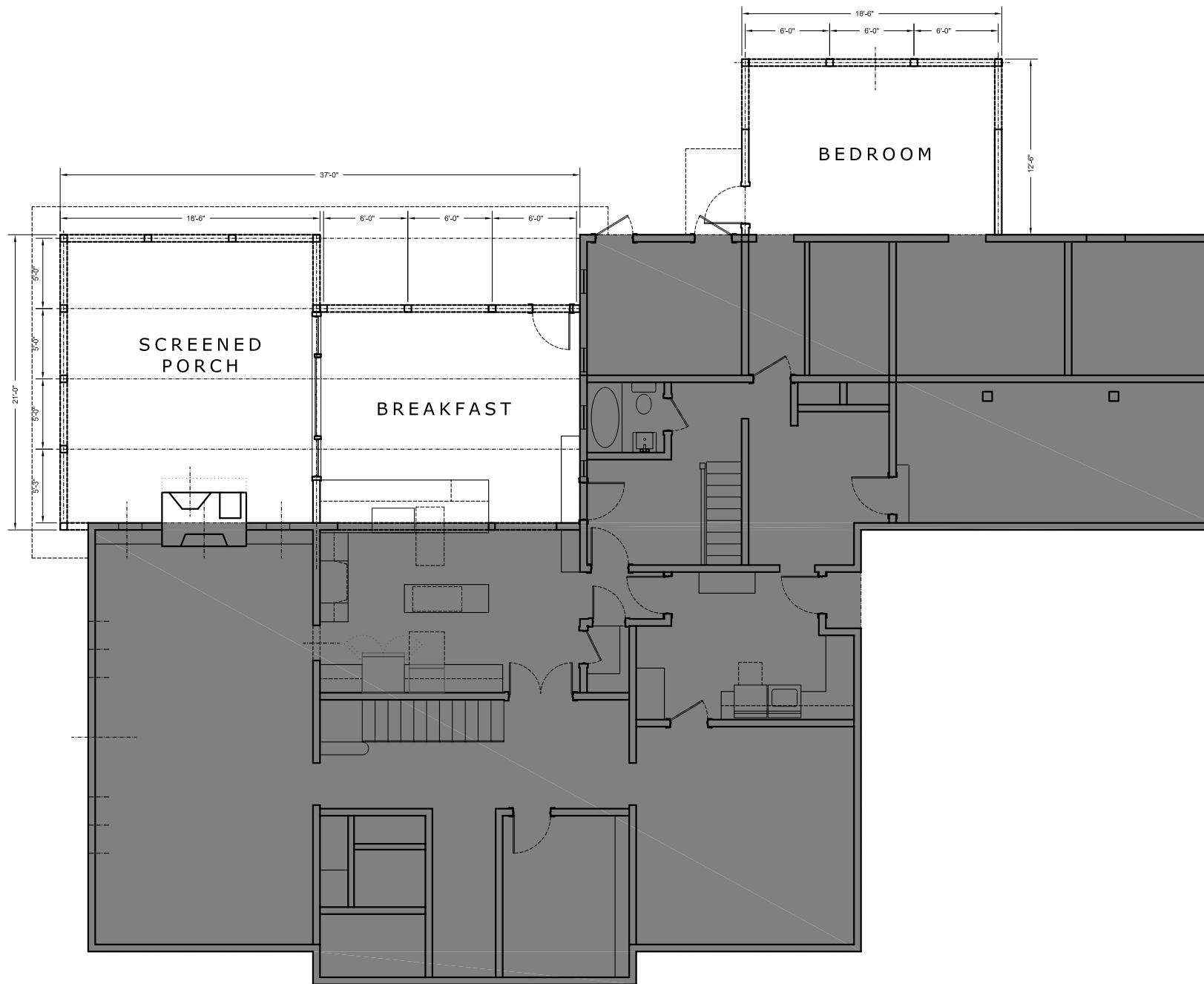
North Elevations showing location of bedroom addition



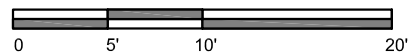
North Elevations showing location of breakfast and screened porch additions

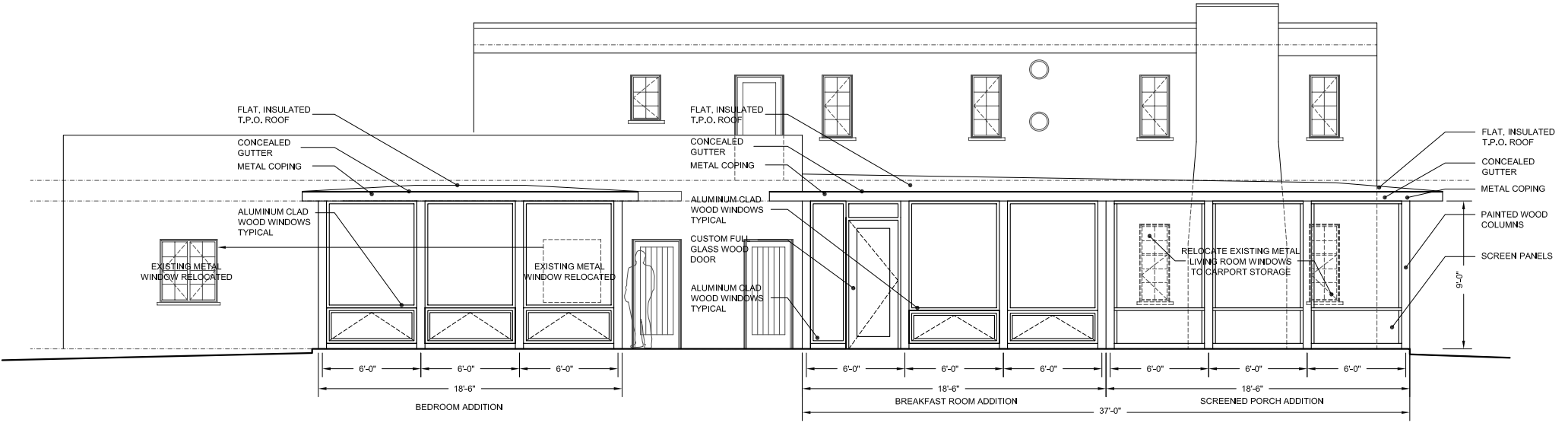
HEINZ RESIDENCE
1079 SCENIC DRIVE
PROPOSED ADDITION
SEPTEMBER 2013



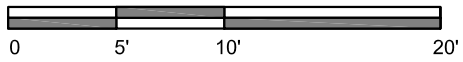


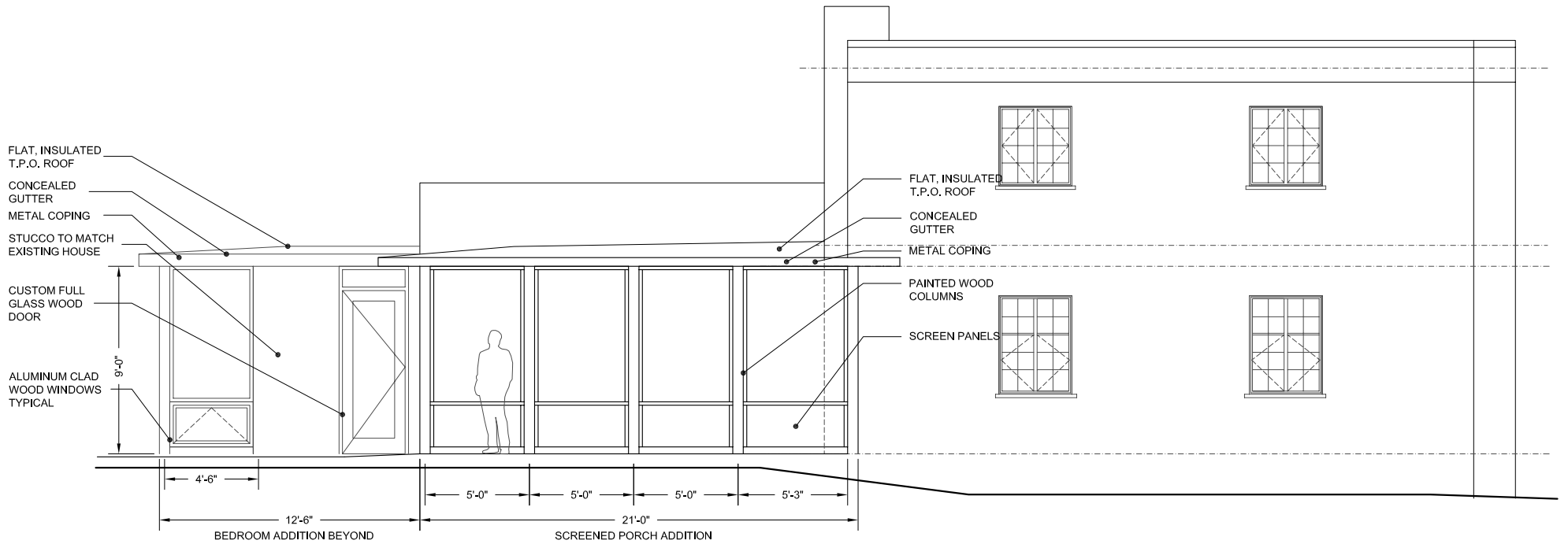
HEINZ RESIDENCE
 1079 SCENIC DRIVE
 FIRST FLOOR PLAN
 SEPTEMBER 2013



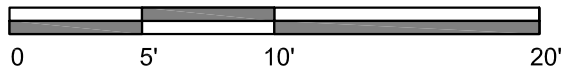


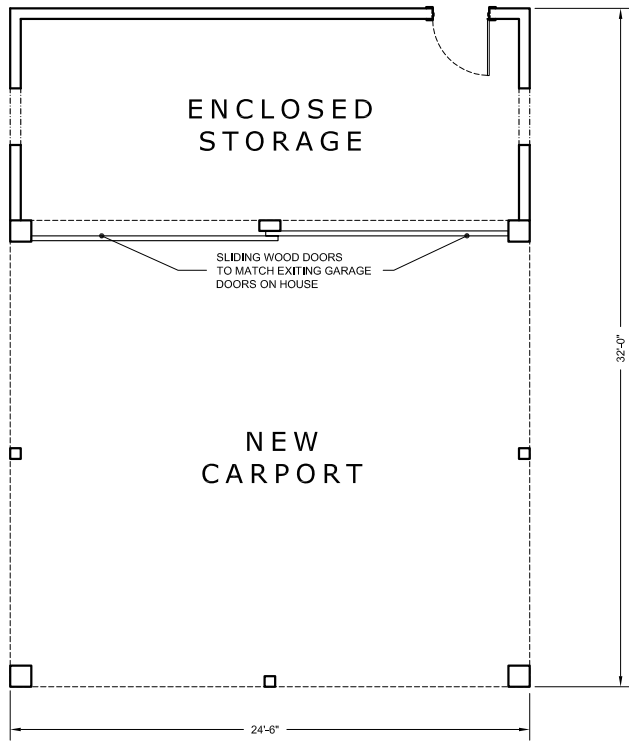
HEINZ RESIDENCE
 1079 SCENIC DRIVE
 NORTH ELEVATION
 SEPTEMBER 2013



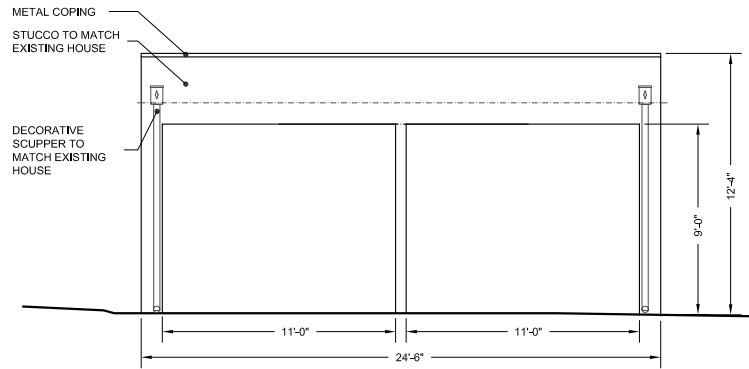


HEINZ RESIDENCE
 1079 SCENIC DRIVE
 WEST ELEVATION
 SEPTEMBER 2013

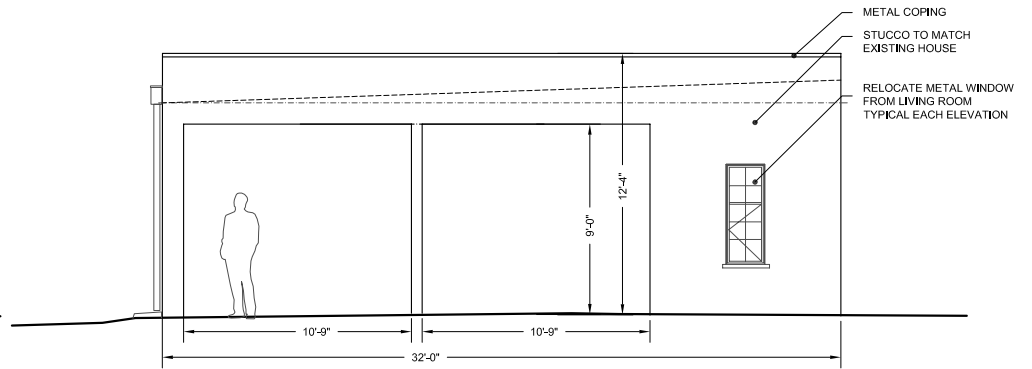




FLOOR PLAN

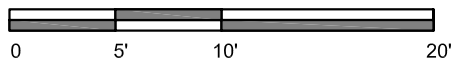


SOUTH ELEVATION



EAST/WEST ELEVATION

HEINZ RESIDENCE
 1079 SCENIC DRIVE
 CARPORT ELEVATIONS
 SEPTEMBER 2013





Historic Image of house circa 1935 – Jim Thompson